



Salient Feature

- Wide range from 63A to 1600A in manual operation
- 3P & 4P versions
- AC-32B utilization category as per IEC60947-6-1.
- Enclosed solution is available.
- Back to back arrangement
- Standard version for both Cu and Al
- Available with direct handle or door interlocked handle.
- Wide range of accessories: auxiliary contacts and phase barriers, etc.,
- Suitable for isolation according to IEC60947-6-1.
- Safety features: clear position indication (I-O-II), independent to operator speed (both in closing and opening).

Functional and Aesthetic Handle

- Good grip and excellent torque resistance.
- Padlockable handle in 3 positions (I-O-II).
- Possibility for 3 padlocks and hole dimension of the locks are below:
 - 63A and 100A – 6 x 8.5 mm
 - 125A to 200A – 9 x 26 mm
 - 250A to 800A – 9 x 26 mm
 - 1000A to 1600A - 9 x 26 mm
- Door Interlock is available while operation in 2 positions (I & II)

Enclosure

- Thick gauge sheet with powder coating ensures long life.
- Ample clearance between switch terminals both on top and bottom.
- Sufficient clearance between terminals and base.
- Gland plate for easy cable connection.
- Door interlock in ON position to avoid accidental contacts.

GORWIN ON LOAD CHANGEOVER SWITCH

Gorwin series are reliable manual transfer switches designed for safe and efficient load transfer between two power sources. With high load capacity, robust insulation, and strong safety features, they ensure secure switching even under abnormal conditions. Available in multiple configurations, sizes, and enclosures, Gorwin CHO delivers flexibility for diverse applications.

Commercial Buildings



Telecom Infrastructure

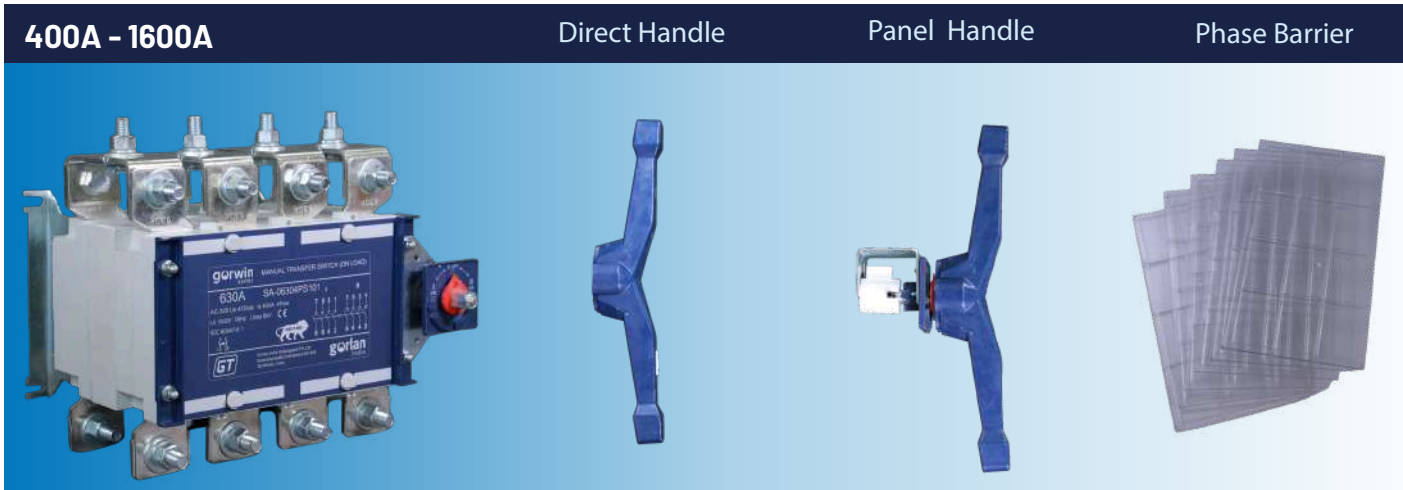


Industries





Note: For Size00, standard package consists of a direct handle, a provision for converting to panel handle & phase barriers.



ENCLOSURE 63A - 1600A

AUXILIARY CONTACTS 125A - 1600A

SIZE CHART



1 NO + 1 NC

Code: 473002

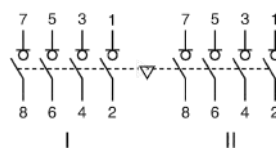
Note: (For 125A - 1600A)
 - Standard package consists of a direct handle, a provision for converting to panel handle, phase barriers & one 1NO 1NC auxiliary contact kit
 - 2NO-2NC can be achieved by adding an additional 1NO-1NC (to be purchased separately) to the existing 1NO-1NC.

Rating	Size
63A - 100A	00
125A - 200A	01
250A - 315A	02
400A - 800A	03
1000A-1600A	04

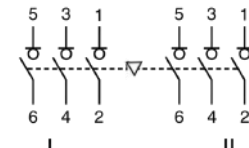
CHANGEOVER SWITCHES 3P & 4P

Technical Information

According to IEC/ 60947-6-1



4P

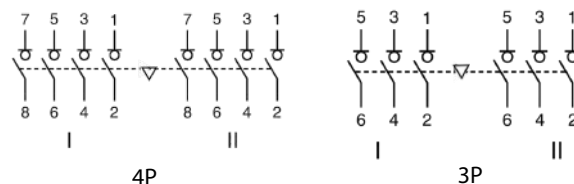


3P

			Size 00		Size 01			Size 02	
			63	100	125	160	200	250	315
Rated thermal current @ ambient at 40C(lth)	A		63	100	125	160	200	250	315
Pole			3P/4P	3P/4P	3P/4P	3P/4P	3P/4P	3P/4P	3P/4P
Rated operational Frequency (Hz)	Hz		50	50	50	50	50	50	50
Rated Operational Voltage (Ue)	V		415	415	415	415	415	415	415
Utilization Category			AC-32B	AC-32B	AC-32B	AC-32B	AC-32B	AC-32B	AC-32B
Rated insulation voltage (Ui)	V		800	800	1000	1000	1000	1000	1000
Rated impulse withstand voltage (Uimp)	KV		6	6	6	6	6	8	8
AC rated operational current (Ie) Rated operational freq 50Hz) Ue 415V	AC -32B	A	63	100	125	160	200	250	315
Rated breaking capacity (415V)	AC -32B	A	320	800	1000	1280	1280	2000	2520
Rated making capacity (415V)	AC -32B	A	400	1000	1250	1600	1600	2500	3150
Short circuit making capacity (Icm)	KA peak		1.5	2.9	12	12	12	12	20
Short time withstand current (1 sec) (Icw)	KA rms		1	2	7	7	7	7	12
Mechanical Operations	Cycles		4500	4500	5000	5000	5000	5000	3000
Electrical Life	Cycles		1500	1500	1000	1000	1000	1000	1000
Mechanical Life	Cycles		8000	8000	7000	7000	7000	7000	5000
Maximum Cu cable with lug Bar size in Sq.mm	Sq.mm		25	35	50	95	95	150	185
Maximum Al cable with lug Bar size in Sq.mm	Sq.mm		25	25	70	95	150	185	240

CHANGEOVER SWITCHES 3P & 4P

Technical Information



According to IEC/ 60947-6-1



			Size 03			Size 04		
			400	630	800	1000	1250	1600
Rated thermal current @ ambient at 40C(Ith)		A	400	630	800	1000	1250	1600
Pole			3P/4P	3P/4P	3P/4P	3P/4P	3P/4P	3P/4P
Rated operational Frequency (Hz)		Hz	50	50	50	50	50	50
Rated Operational Voltage (Ue)		V	415	415	415	415	415	415
Utilization Category			AC-32B	AC-32B	AC-32B	AC-32B	AC-32B	AC-32B
Rated insulation voltage (Ui)		V	1000	1000	1000	1000	1000	1000
Rated impulse withstand voltage (Uimp)		KV	12	12	12	12	12	12
AC rated operational current (Ie) Rated operational freq 50Hz) Ue 415V	AC -32B	A	400	630	800	1000	1250	1600
Rated breaking capacity (415V)	AC -32B	A	3200	5000	6400	8000	8000	8000
Rated making capacity (415V)	AC -32B	A	4000	6300	8000	10000	10000	10000
Short circuit making capacity (Icm)		KA peak	20	20	20	26	40	40
Short time withstand current (1 sec) (Icw)		KA rms	12	12	12	16	20	20
Mechanical Operations		Cycles	3000	2000	2500	2500	2500	2500
Electrical Life		Cycles	1000	1000	500	500	500	500
Mechanical Life		Cycles	5000	4000	3500	3000	3000	3000
Maximum Cu cable with lug Bar size in Sq.mm		Sq.mm	2x30x5	2x40x5	2x50x5	2x60x5	2x60x8	2x60x8
Maximum Al cable with lug Bar size in Sq.mm		Sq.mm	2x32x8	2x40x8	2x50x8	2x60x8	2x60x8	2x60x8

CHANGEOVER SWITCHES 3P & 4P

PRODUCT CODES

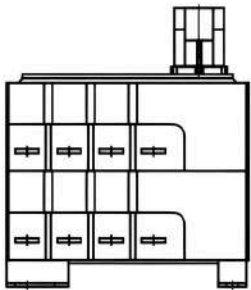
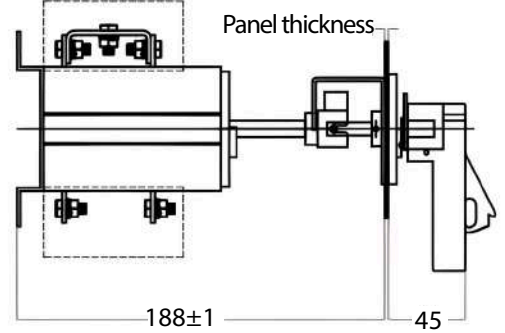
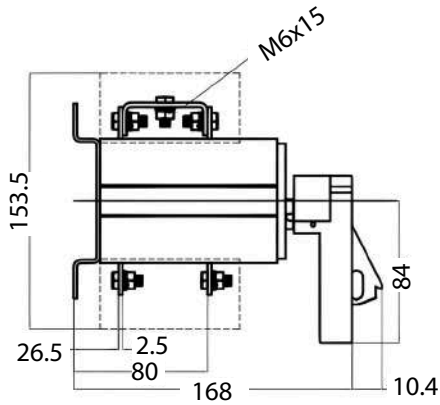
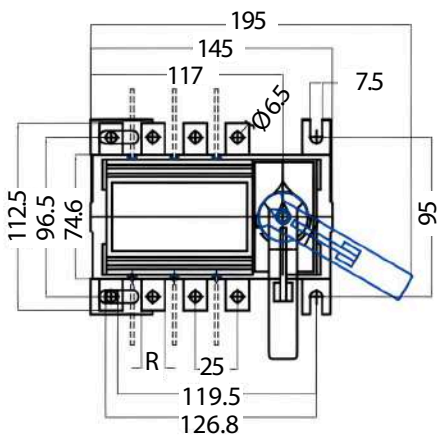
AMP	Open Execution 		Sheet Steel Enclosure 	
	3P	4P	3P	4P
63	SA-00633PS100	SA-00634PS100	SA-00633PS105	SA-00634PS105
100	SA-01003PS100	SA-01004PS100	SA-01003PS105	SA-01004PS105
125	SA-01253PS101	SA-01254PS101	SA-01253PS103	SA-01254PS103
160	SA-01603PS101	SA-01604PS101	SA-01603PS103	SA-01604PS103
200	SA-02003PS101	SA-02004PS101	SA-02003PS103	SA-02004PS103
250	SA-02503PS101	SA-02504PS101	SA-02503PS103	SA-02504PS103
315	SA-03153PS101	SA-03154PS101	SA-03153PS103	SA-03154PS103
400	SA-04003PS101	SA-04004PS101	SA-04003PS103	SA-04004PS103
630	SA-06303PS101	SA-06304PS101	SA-06303PS103	SA-06304PS103
800	SA-08003PS101	SA-08004PS101	SA-08003PS103	SA-08004PS103
1000	SA-10003PS101	SA-10004PS101	SA-10003PS103	SA-10004PS103
1250	SA-12503PS101	SA-12504PS101	SA-12503PS103	SA-12504PS103
1600	SA-16003PS101	SA-16004PS101	SA-16003PS103	SA-16004PS103



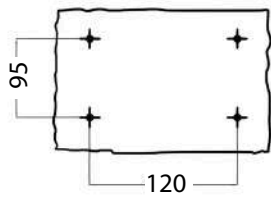
Dimensional Details 3P & 4P

Size 00

A 63 | 100



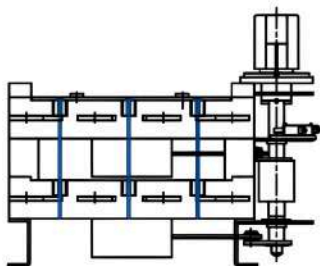
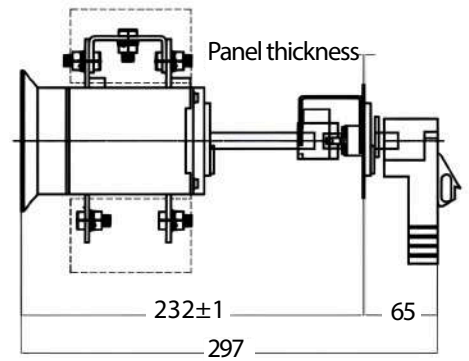
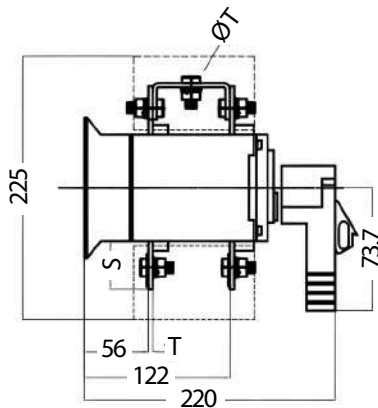
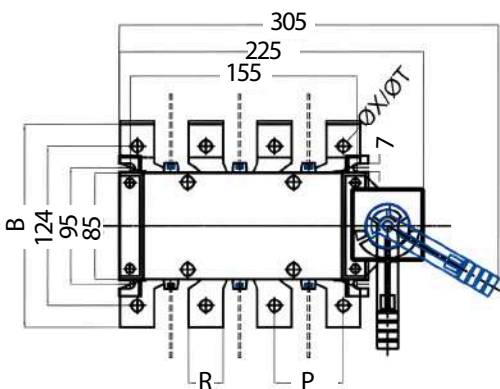
SWITCH MOUNTING



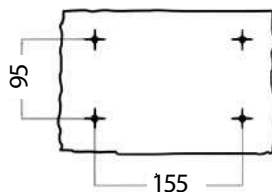
Rating A	R
63A	12
100A	14

Size 01

A 125/160/200



SWITCH MOUNTING

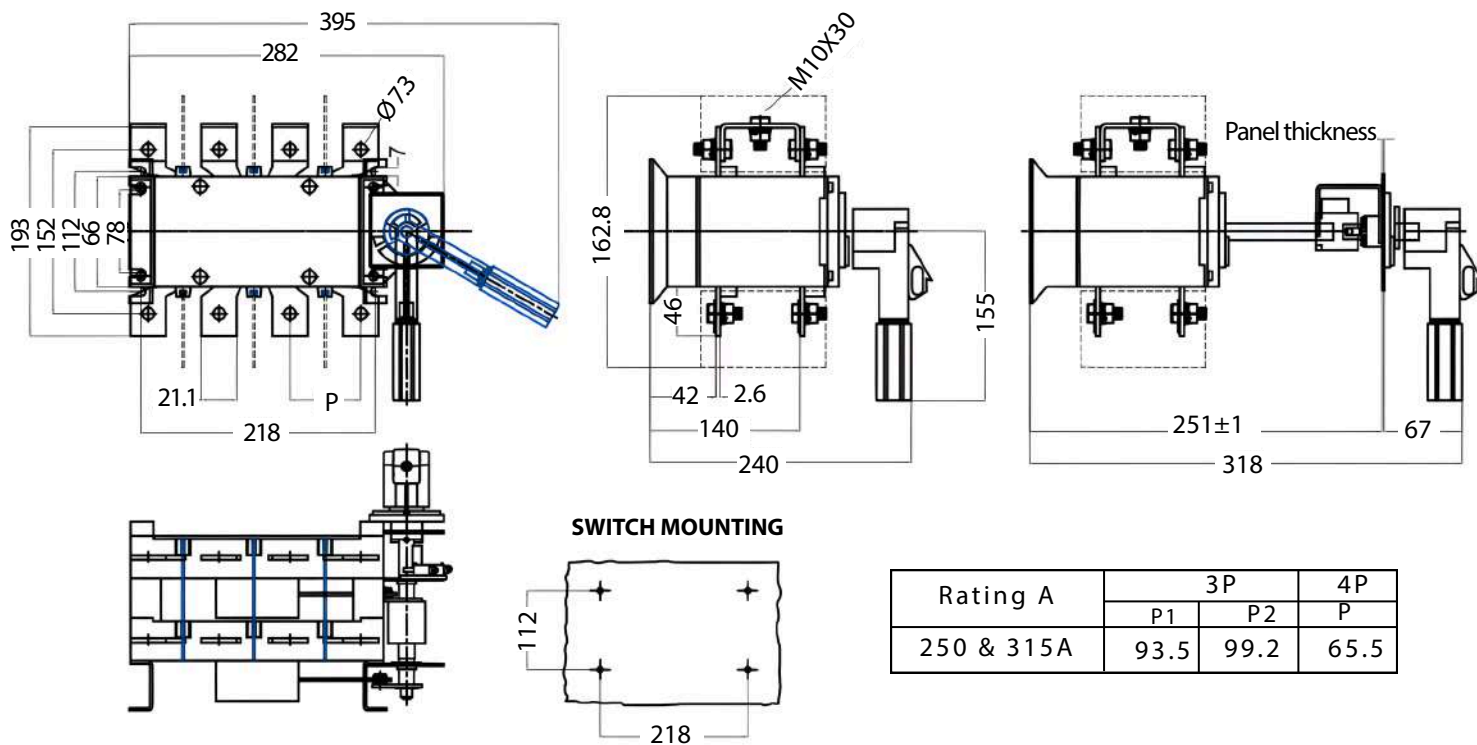


Rating A	B	R	3P		4P	S	T	ØX	ØT
			P1	P2	P				
125A	142	22	61	71	45	28	3	8.5	M8X20
160A 200A	156	25	70	73	49	35	4	11	M10X26

Dimensional Details 3P & 4P

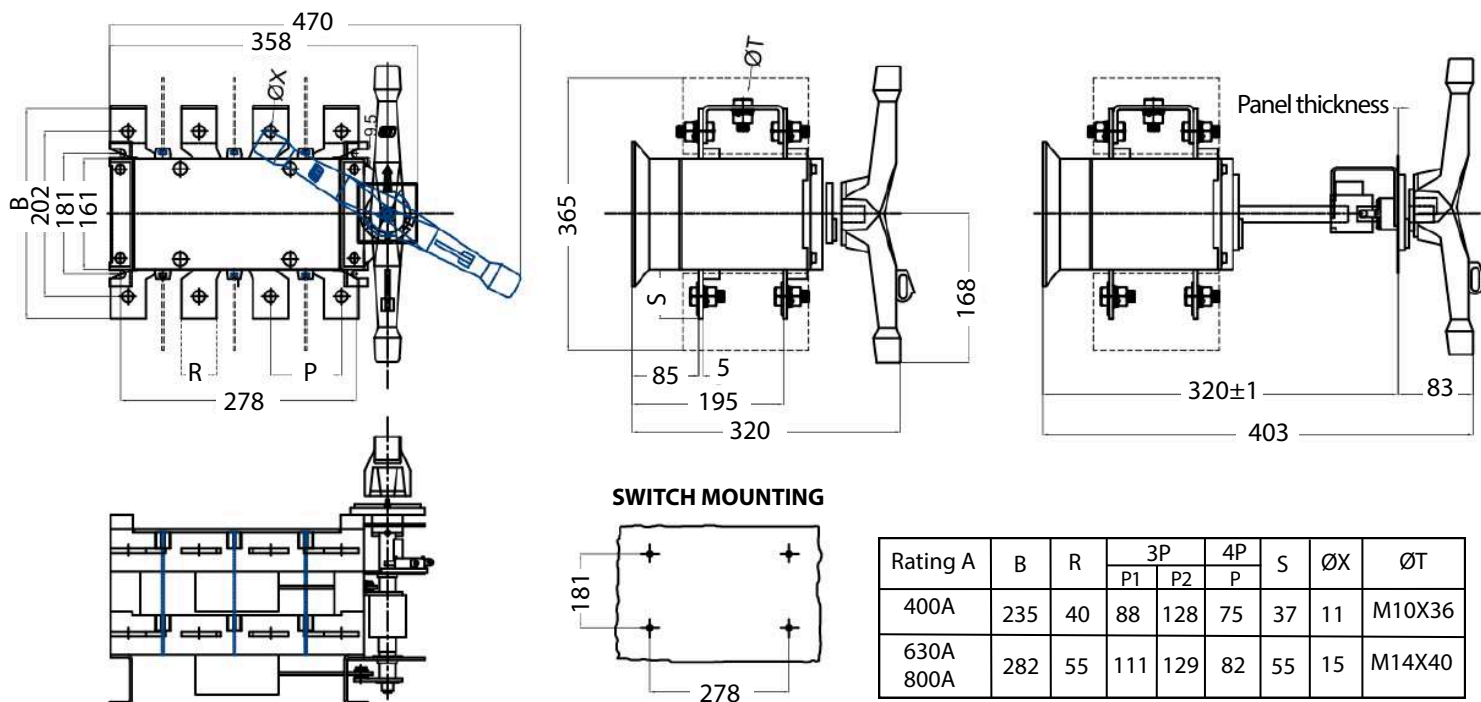
Size 02

A 250/315



Size 03

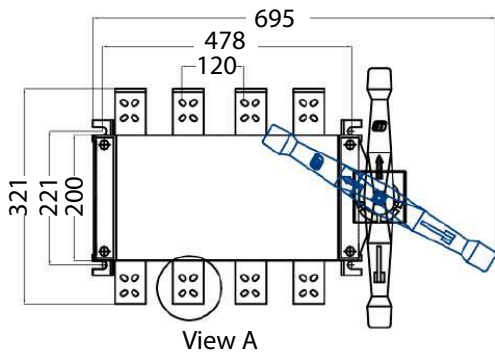
A 400/630/800



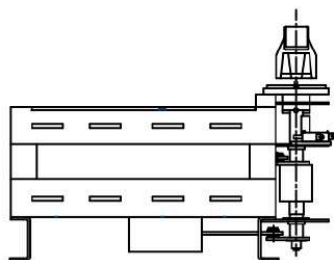
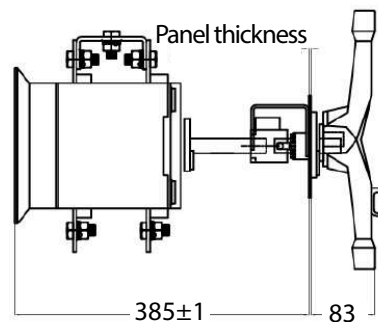
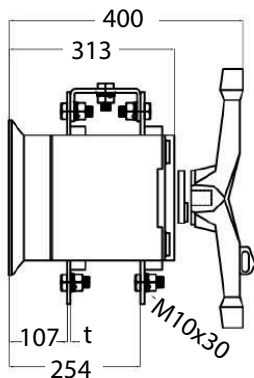
Dimensional Details 3P & 4P

Size 04

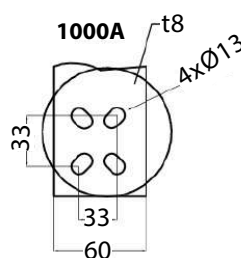
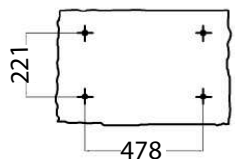
A 1000/1250/1600



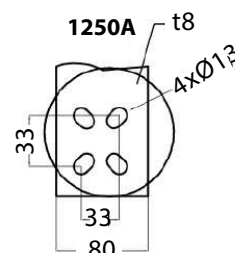
View A



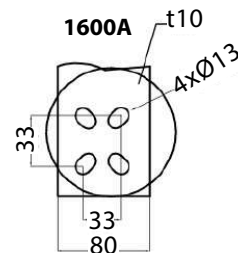
SWITCH MOUNTING



VIEW A



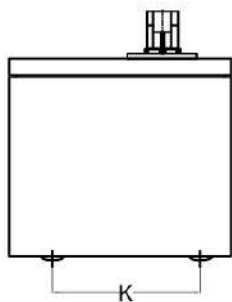
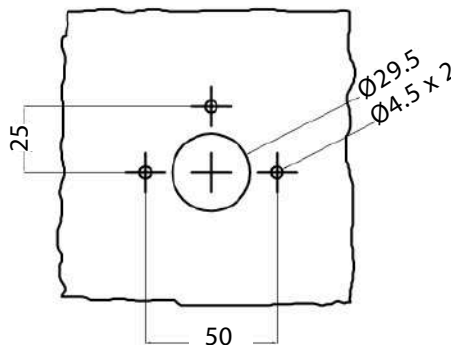
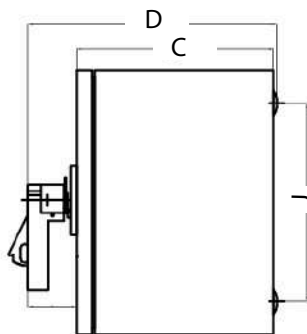
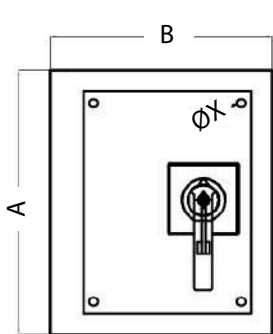
VIEW A



VIEW A

ENCLOSURE 63A - 1600A

PANEL DRILLING FOR ALL RATINGS



Rating A	A	B	C	D	J	K	K
63A - 100A	250	210	187	236	188	140	Ø8.2
125A - 200A	320	310	232	290	235	235	Ø8.2
250A - 315A	375	425	277	343	270	318	Ø8.2
400A - 800A	480	475	345	410	373	373	Ø10.2

Note: Enclosures (1000A - 1600A) - On Request

Explore Our Complete Range of Products

ROTARY CAM SWITCH



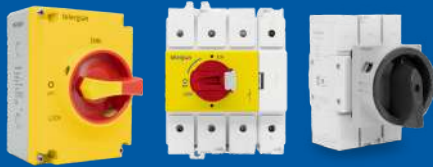
BREAKER CONTROL SWITCH



AC SOLUTIONS



S3 SERIES (AC LBS)



AUTOMATIC TRANSFER SWITCH (ATS)



F1 & F7 SERIES (DC LBS)



DC & ENCLOSED SOLUTIONS



AC/DC MOTORIZED SWITCHES





telergon
gorlan

Telergon is the switch specialist that anticipates its customers' needs through the research, design, manufacture and commercialization of low voltage power switching products and solutions.

Carretera Castellón – Pol. Ind. La Cartuja 50720, La Cartuja Baja Zaragoza (Spain)

Tel.: (+34) 976 50 08 76
Fax: (+34) 976 50 03 14
info@telergon.com
www.telergon.gorlan.com



pronutec
gorlan

Pronutec is considered one of the leading companies specialised in fabrication and marketing of capital goods for the low voltage switchgear sector.

Parque Empresarial Boroa, Parcela 2C-1 48340 Amorebieta Vizcaya-Spain

Tel.: (+34) 94 631 32 34
Fax: (+34) 94 631 39 22
info@pronutec.com
www.pronutec.gorlan.com



tripus
gorlan

Tripus has become the leading manufacturer of complete switch-plug combinations for do-it-yourself and construction industries in Europe. Am Hohen Rain 2 89347 Bubesheim

Tripus systems GmbH Am Hohen Rain 2 89347 Bubesheim Deutschland

Tel.: (+49) 8221 9016 60
Fax: (+49) 8221 3073
sales@tripus.com
www.tripus.com



merytronic

Merytronic is a company with a high added value in research, development and production of electronic equipment, both fixed and portable, for monitoring, control and indication of electronic distribution networks.

Boroa Business Park Plot 2B-1 48340 Amorebieta Vizcaya (España)- Spain

Tel.: (+34) 94 605 24 62
info@merytronic.com
www.merytronic.gorlan.com



gorlan
germany

Gorlan germany After many years of experience in the German market, Pronutec GmbH was established to provide customers a more personalized and direct service.

Am Hohen Rain 2 89437 Bubesheim-Germany

Tel.: (+49) 8221 901 677
Fax: (+49) 8221 901 6777
info@gorlangermany.com
www.germany.gorlan.com



plastibor
gorlan

Dedicated to Plastics injection moulding, Plastibor separates production into two different sections: The thermosetting polymers section and thermoplastic materials section. In the first section thermoset polyester parts are moulded from moist polyester, and in the second section, thermoplastic materials such as polyamides, polycarbonates, PBT, PPS, PEI, PP, PARA, etc. are injected.

Parque Empresarial Boroa Parcela 2C-1 48340 Amorebieta, Vizcaya-Spain

Tel.: (+34) 94 648 26 87
Fax: (+34) 94 648 26 88
info@plastibor.com
www.plastibor.gorlan.com



inaselec
gorlan

Inaselec Assembly is a recent established Company within Gorlan group, is devoted to the manufacturing activity. As a result of this exclusive dedication to the manufacture and assembly by means of the most developed and modern systems, as well as rigorous quality controls, Inaselec offers as excellent end product.

Pol. Fuente Ciega-C/Encinas, 40 26200 Haro, La Rioja-Spain

Tel.: (+34) 941 89 49 00
inaselec@inaselec.com
www.inaselec.com



gorlan
polska

Gorlan Polska was established to spread the group's solutions and attend local customers' needs in the Polish market.

ul.Zeromskiego 18 56-420 Bierutow-Polska

Tel.: (+48) 56 623 14 65
Fax: (+48) 71 314-62-35
info@gorlanpolska.com
www.polska.gorlanteam.com



gorlan
china

Gorlan Electric Shanghai was established to offer its group's solutions to the Chinese market in order to attend to his market's needs in the most customised and efficient fashion possible.

Office 1505, Sino Life Tower No. 707 Zhongyang Road Pudong, Shanghai 200120- China

Tel.: (+86) 2158 88 92 86
shanghai@gorlan.com
www.shanghai.gorlanteam.com



gorlan
india

Gorlan India Switchgears Private Limited was formed as a result of the merger of Gem Telergon Switchgears Pvt Ltd and Gorlan Technologies Pvt Ltd.

24, Textool Feeder Industrial Estate, Ganapathy Coimbatore - 641 006 - India

Tel : 00422 - 4376841
info@gorlanindia.com
www.india.gorlan.com



ISO 9001:2015
ISO 14001:2015
ISO 45001:2018



www.tuv.com
ID: 3105072142



Gorlan India Switchgear Pvt. Ltd.
Administrative and Registered Office:
24, Textool Feeder Industrial Estate
Ganapathy, Coimbatore - 641 006
India

Tel : 00422 - 4376841
E-Mail : info@gorlanindia.com
Web : www.india.gorlan.com
CIN : U32109TZ1999TC008747



gorlan
india