



# Gorwin Bypass Changeover Switch

100A - 800A



**gorlan**  
india



## Bypass Changeover Switch

The **Gorwin Bypass Changeover Switch** is designed for safe and reliable load transfer between power sources, ensuring uninterrupted power during maintenance or power failure. Built with strong insulation, durable components, and advanced safety features, it delivers stable performance even in demanding industrial environments. Available in ratings from **100A to 800A**, Gorwin Bypass Changeover Switch offers flexibility for various applications across industries and commercial installations.

### Salient Feature

- Wide range from 100A to 800A in manual operation
- 4P versions
- AC-32B utilization category as per IEC60947-6-1.
- Enclosed solution is available.
- Back to back arrangement
- Standard version for both Cu and Al
- Available with direct handle or door interlocked handle.
- Wide range of accessories: auxiliary contacts and phase barriers, etc.,
- Suitable for isolation according to IEC60947-6-1.
- Safety features: clear position indication (I-O-II), independent to operator speed (both in closing and opening).

### Functional and Aesthetic Handle

- Good grip and excellent torque resistance.
- Padlockable handle in 3 positions (I-O-II).
- Possibility for 3 padlocks and hole dimension of the locks are below:
  - 100A to 200A – 9 x 26 mm
  - 250A to 800A – 9 x 26 mm
- Door Interlock is available while operation in 2 positions (I & II)



### Enclosure



- Thick gauge sheet with powder coating ensures long life.
- Ample clearance between switch terminals both on top and bottom.
- Sufficient clearance between terminals and base.
- Gland plate for easy cable connection.
- Door interlock in ON position to avoid accidental contacts.



**BYPASS CHANGEOVER - 4P**

**PRODUCT CODES**



Amp	Size	Open Execution 	Sheet Steel Enclosure 
		4P	4P
100	01	SBA01004PD101	SBA01004PD103
125		SBA01254PS101	SBA01254PS103
160		SBA01604PS101	SBA01604PS103
200		SBA02004PS101	SBA02004PS103
250	02	SBA02504PS101	SBA02504PS103
315		SBA03154PS101	SBA03154PS103
400	03	SBA04004PS101	SBA04004PS103
630		SBA06304PS101	SBA06304PS103
800		SBA08004PS101	SBA08004PS103

**PRODUCTS**



Direct Handle

Panel Handle

Phase Barrier

Auxiliary contacts



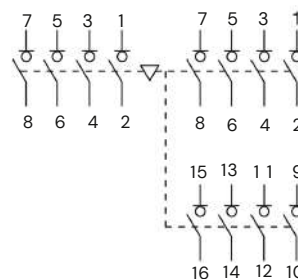
1 NO + 1 NC  
Code 473002

Note:

- Standard package consists of a direct handle, a provision for converting to panel handle, phase barriers & one 1NO 1NC auxiliary contact kit
- 2NO-2NC can be achieved by adding an additional 1NO-1NC (to be purchased separately) to the existing 1NO-1NC.

Technical Information

According to IEC/ 60947-6-1



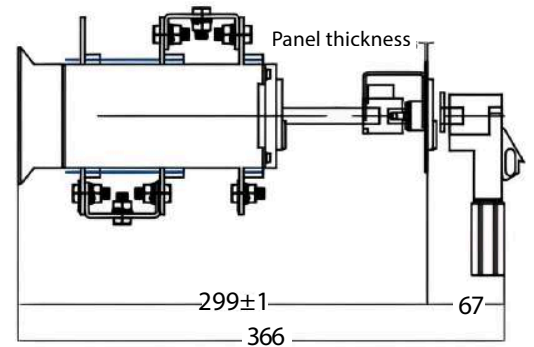
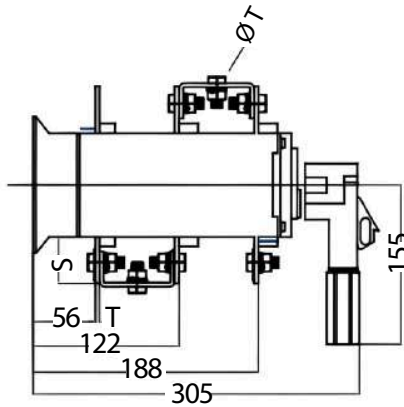
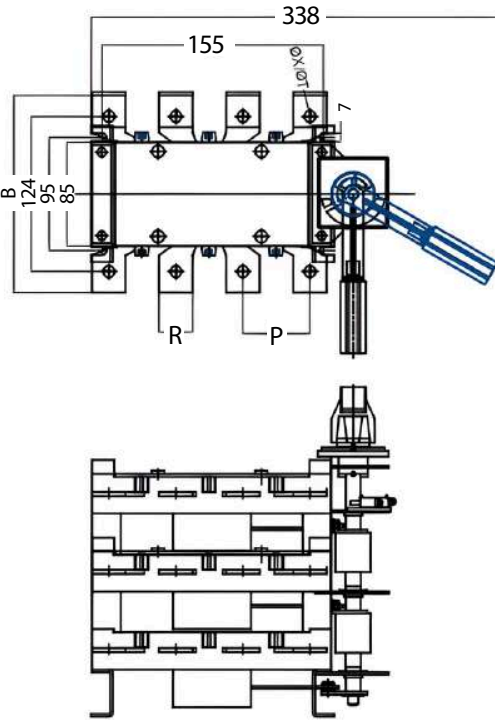
4P

			Size 01				Size 02		Size 03		
			100	125	160	200	250	315	400	630	800
Rated thermal current @ ambient at 40C(Ith)		A	100	125	160	200	250	315	400	630	800
Pole			3P/4P	3P/4P	3P/4P	3P/4P	3P/4P	3P/4P	3P/4P	3P/4P	3P/4P
Rated operational Frequency (Hz)		Hz	50	50	50	50	50	50	50	50	50
Rated Operational Voltage (Ue)		V	415	415	415	415	415	415	415	415	415
Utilization Category			AC-32B	AC-32B	AC-32B	AC-32B	AC-32B	AC-32B	AC-32B	AC-32B	AC-32B
Rated insulation voltage (Ui)		V	800	1000	1000	1000	1000	1000	1000	1000	1000
Rated impulse withstand voltage (Uimp)	AC-32B	KV	6	6	6	6	8	8	12	12	12
AC rated operational current (Ie) Rated operational freq 50Hz) Ue 415V	AC-32B	A	100	125	160	200	250	315	400	630	800
Rated breaking capacity (415V)	AC-32B	A	800	1000	1280	1280	2000	2520	3200	5000	6400
Rated making capacity (415V)		A	1000	1250	1600	1600	2500	3150	4000	6300	8000
Short circuit making capacity (Icm)		KA peak	7.5	12	12	12	12	20	20	20	20
Short time withstand current (1 sec) (Icw)		KA rms	5	7	7	7	7	12	12	12	12
Mechanical Operations		Cycles	4500	5000	5000	5000	5000	3000	3000	2000	2500
Electrical Life		Cycles	1500	1000	1000	1000	1000	1000	1000	1000	500
Mechanical Life		Cycles	7000	7000	7000	7000	7000	5000	5000	4000	3500
Maximum Cu cable with lug Bar size in Sq.mm		Sq.mm	35	50	95	95	150	185	2x30x5	2x40x5	2x50x5
Maximum Al cable with lug Bar size in Sq.mm		Sq.mm	50	70	95	150	185	240	2x32x8	2x40x8	2x50x8

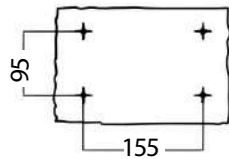
### Dimensional Details 4P

Size 01

A 100A - 200A



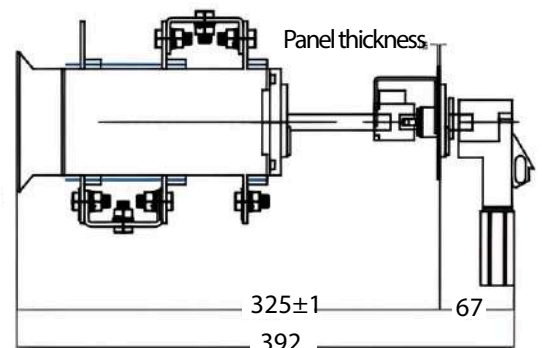
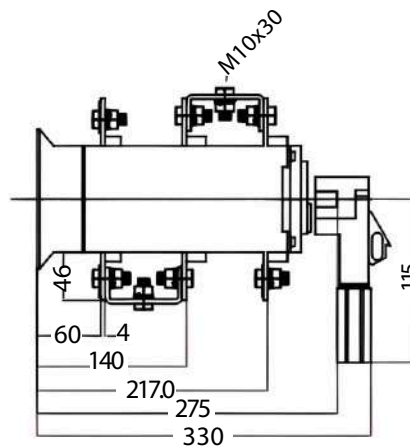
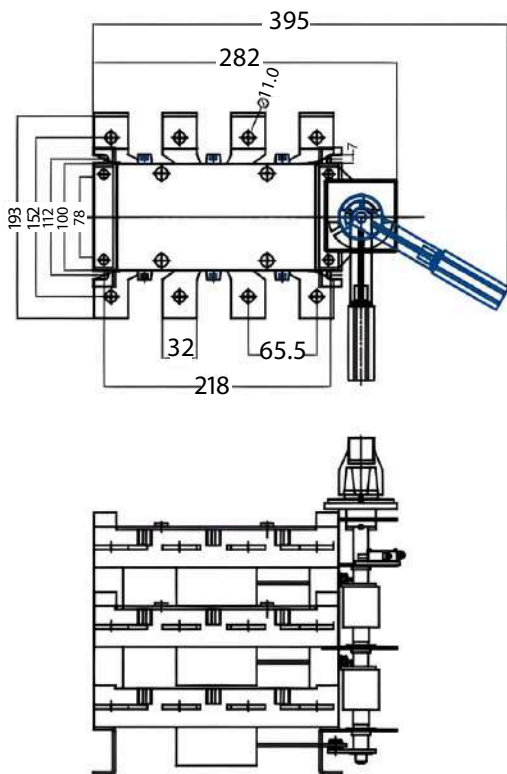
**SWITCH MOUNTING**



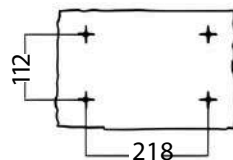
Rating A	B	P	R	S	T	ØX	ØT
100 A	130	35	18	22	3	8.5	M8X20
125 A	142	45	22	28	3	8.5	M10X36
160 A 200 A	156	49	25	35	4	11	M14X40

Size 02

A 250A - 315A

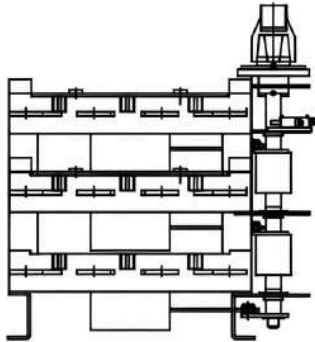
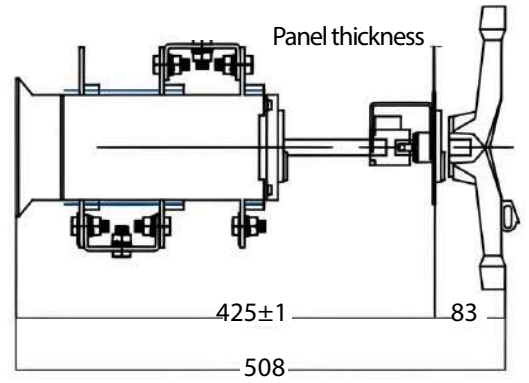
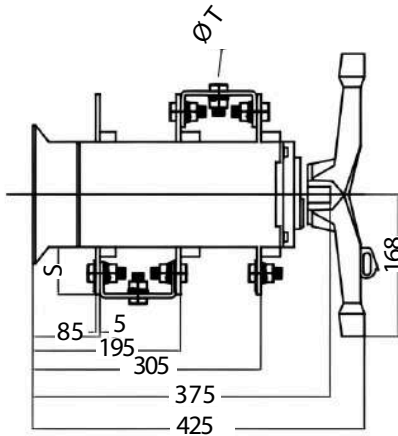
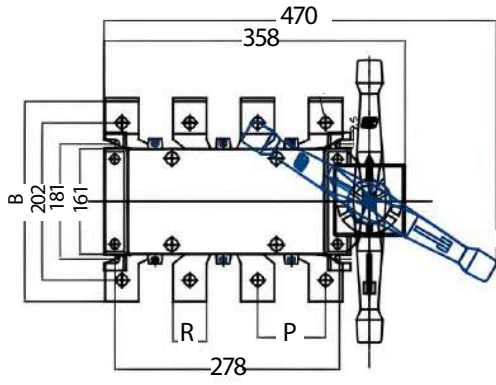


**SWITCH MOUNTING**

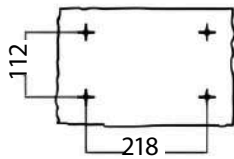


Size 03

A 400A - 800A

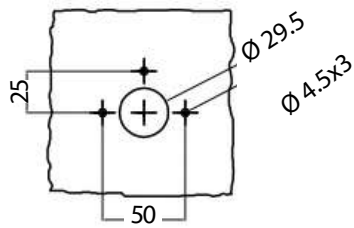


**SWITCH MOUNTING**

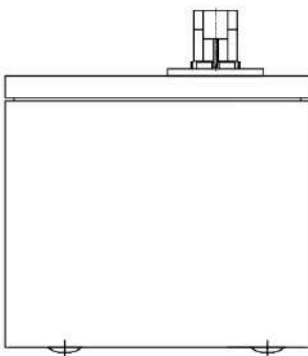
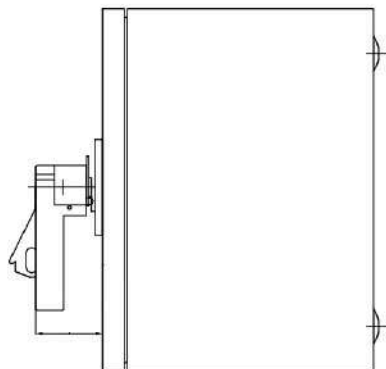
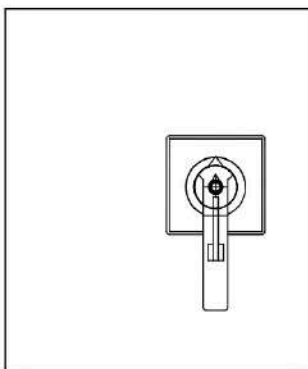


Rating A	B	R	3P		4P	R	S	ØX	ØT
			P1	P2					
400A	235	40	88	128	75	40	37	11	M10X36
630A 800A	282	55	111	129	82	55	55	15	M14X40

**PANEL DRILLING FOR ALL RATINGS**



**ENCLOSURE 100A - 800A**



Note: Enclosures available on request



**telergon**  
gorlan

Telergon is the switch specialist that anticipates its customers' needs through the research, design, manufacture and commercialization of low voltage power switching products and solutions.

Carretera Castellón – Pol. Ind. La Cartuja 50720, La Cartuja Baja Zaragoza (Spain)

Tel.: (+34) 976 50 08 76  
Fax: (+34) 976 50 03 14  
info@telergon.com  
www.telergon.gorlan.com



**pronutec**  
gorlan

Pronutec is considered one of the leading companies specialised in fabrication and marketing of capital goods for the low voltage switchgear sector.

Parque Empresarial Boroa, Parcela 2C-1 48340 Amorebieta Vizcaya-Spain

Tel.: (+34) 94 631 32 34  
Fax: (+34) 94 631 39 22  
info@pronutec.com  
www.pronutec.gorlan.com



**tripus**  
gorlan

Tripus has become the leading manufacturer of complete switch-plug combinations for do-it-yourself and construction industries in Europe. Am Hohen Rain 2 89347 Bubesheim

Tripus systems GmbH Am Hohen Rain 2 89347 Bubesheim Deutschland

Tel.: (+49) 8221 9016 60  
Fax: (+49) 8221 3073  
sales@tripus.com  
www.tripus.com



**merytronic**

Merytronic is a company with a high added value in research, development and production of electronic equipment, both fixed and portable, for monitoring, control and indication of electronic distribution networks.

Boroa Business Park Plot 2B-1 48340 Amorebieta Vizcaya (España)- Spain

Tel.: (+34) 94 605 24 62  
info@merytronic.com  
www.merytronic.gorlan.com



**gorlan**  
germany

Gorlan germany After many years of experience in the German market, Pronutec GmbH was established to provide customers a more personalized and direct service.

Am Hohen Rain 2 89437 Bubesheim-Germany

Tel.: (+49) 8221 901 677  
Fax: (+49) 8221 901 6777  
info@gorlangermany.com  
www.germany.gorlan.com



**plastibor**  
gorlan

Dedicated to Plastics injection moulding, Plastibor separates production into two different sections: The thermosetting polymers section and thermoplastic materials section. In the first section thermoset polyester parts are moulded from moist polyester, and in the second section, thermoplastic materials such as polyamides, polycarbonates, PBT, PPS, PEI, PP, PARA, etc. are injected.

Parque Empresarial Boroa Parcela 2C-1 48340 Amorebieta, Vizcaya-Spain

Tel.: (+34) 94 648 26 87  
Fax: (+34) 94 648 26 88  
info@plastibor.com  
www.plastibor.gorlan.com



**inaselec**  
gorlan

Inaselec Assembly is a recent established Company within Gorlan group, is devoted to the manufacturing activity. As a result of this exclusive dedication to the manufacture and assembly by means of the most developed and modern systems, as well as rigorous quality controls, Inaselec offers as excellent end product.

Pol. Fuente Ciega-C/Encinas, 40 26200 Haro, La Rioja-Spain

Tel.: (+34) 941 89 49 00  
inaselec@inaselec.com  
www.inaselec.com



**gorlan**  
polska

Gorlan Polska was established to spread the group's solutions and attend local customers' needs in the Polish market.

uL.Zeromskiego 18 56-420 Bierutow-Polska

Tel.: (+48) 56 623 14 65  
Fax: (+48) 71 314-62-35  
info@gorlanpolska.com  
www.polska.gorlanteam.com



**gorlan**  
china

Gorlan Electric Shanghai was established to offer its group's solutions to the Chinese market in order to attend to his market's needs in the most customised and efficient fashion possible.

Office 1505, Sino Life Tower No. 707 Zhongyang Road Pudong, Shanghai 200120-China

Tel.: (+86) 2158 88 92 86  
shanghai@gorlan.com  
www.shanghai.gorlanteam.com



**gorlan**  
india

Gorlan India Switchgears Private Limited was formed as a result of the merger of Gem Telergon Switchgears Pvt Ltd and Gorlan Technologies Pvt Ltd.

24, Textool Feeder Industrial Estate, Ganapathy Coimbatore - 641 006 - India

Tel : 00422 - 4376841  
info@gorlanindia.com  
www.india.gorlan.com



ISO 9001:2015  
ISO 14001:2015  
ISO 45001:2018



www.tuv.com  
ID: 3105072142



Gorlan India Switchgear Pvt. Ltd.  
Administrative and Registered Office:  
24, Textool Feeder Industrial Estate  
Ganapathy, Coimbatore - 641 006  
India

Tel : 00422 - 4376841  
E-Mail : [info@gorlanindia.com](mailto:info@gorlanindia.com)  
Web : [www.india.gorlan.com](http://www.india.gorlan.com)  
CIN : U32109TZ1999TC008747



**gorlan**  
india