

**telergon**  
gorlan



**AUTOMATIC TRANSFER SWITCH (ATS)**

**40A - 1600A**

**gorlan**  
india

[www.india.gorlan.com](http://www.india.gorlan.com)



## AUTO TRANSFER SWITCH - ATS

An automatic transfer switch (ATS) is a self-acting, intelligent power switching device governed by dedicated control logic. The principal purpose of an ATS is to ensure the continuous delivery of electrical power from one of two power sources to a connected load circuit.

The control logic or automatic controller is typically microprocessor-based and constantly monitors the electrical parameters of primary and alternate power sources. Upon failure of the connected power source, the ATS will automatically transfer the load circuit to the other power source. The automatic transfer switches seek connection to the primary power source by default and will only connect to the alternate power source when required.

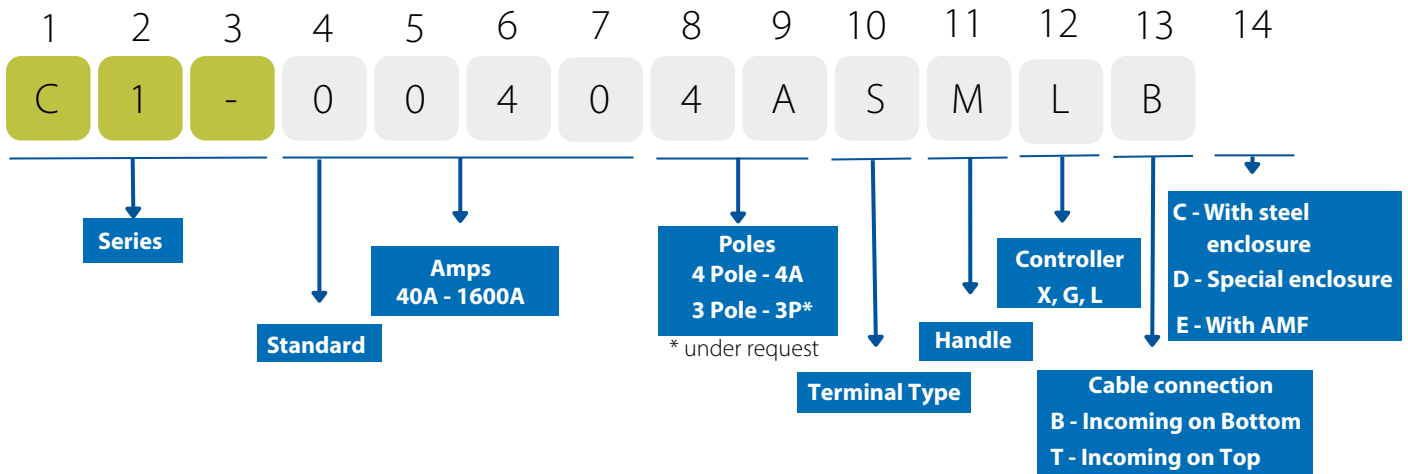
### FEATURES

- Wide range from 40A to 1600A (3P & 4P Version).
- Utilization category PC class AC- 32B.
- Operating handle with provision to lock in ON/OFF position.
- Easy installation and operation.
- Quick-make and quick-break operation.
- High short-circuit withstand capacity.
- External indication.
- Conforms IEC 60947-6-1.
- Programmable device for setting parameters under/over voltage, time delay etc.
- Maintenance free, most reliable mechanically held contact technology.

### FUNCTIONS

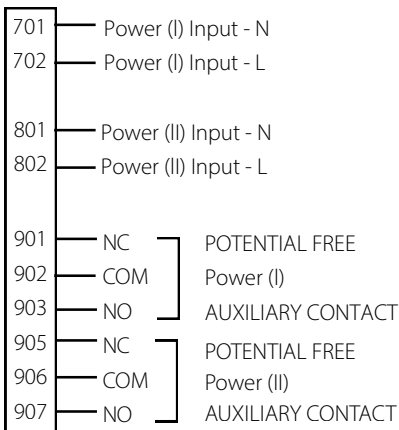
Controller code	Controller Functions
X- MODEL	<ul style="list-style-type: none"> <li>• External control signal for Source I and II</li> <li>• LED indicator for Source I and II power indication, I and II open/close status indication</li> <li>• Auto transfer auto recovery</li> <li>• Potential free auxiliary contact 1NO + 1NC for Source I and II</li> </ul>
G - MODEL	<ul style="list-style-type: none"> <li>• External 230V Supply for Source I and II</li> <li>• LED indicator for Source I and II power indication, I and II open/close status indication</li> <li>• Remote control</li> <li>• Potential free auxiliary contact 1NO for Source I and II</li> </ul>
L - MODEL	<ul style="list-style-type: none"> <li>• LED indicator for Source I and II power indication, I and II open/close status indication</li> <li>• Active output terminals for Source I and II power indication, I and II open/close status indication</li> <li>• Single phase monitoring</li> <li>• Three phase monitoring (Phase sequence)</li> <li>• Auto transfer auto recovery</li> <li>• Generator Start/Stop control (DC12/24V aux power input)</li> <li>• Under / over voltage &amp; frequency protection</li> <li>• Engine exerciser</li> <li>• Remote control</li> </ul>

CODE

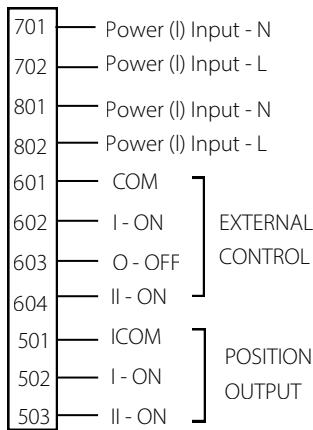


ATS Without controller (X,G)

Model X

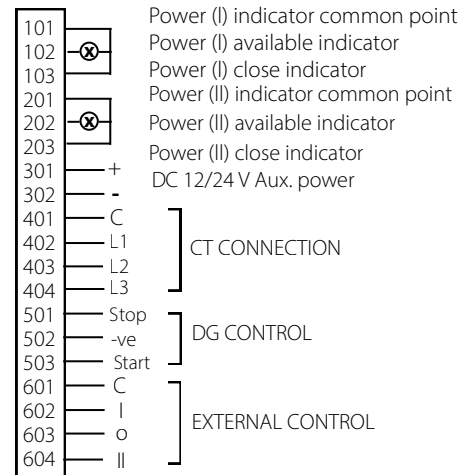


Model G

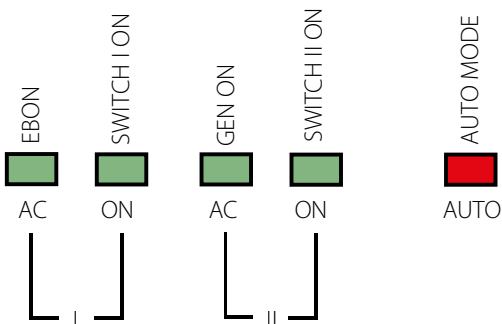


ATS With controller (L)

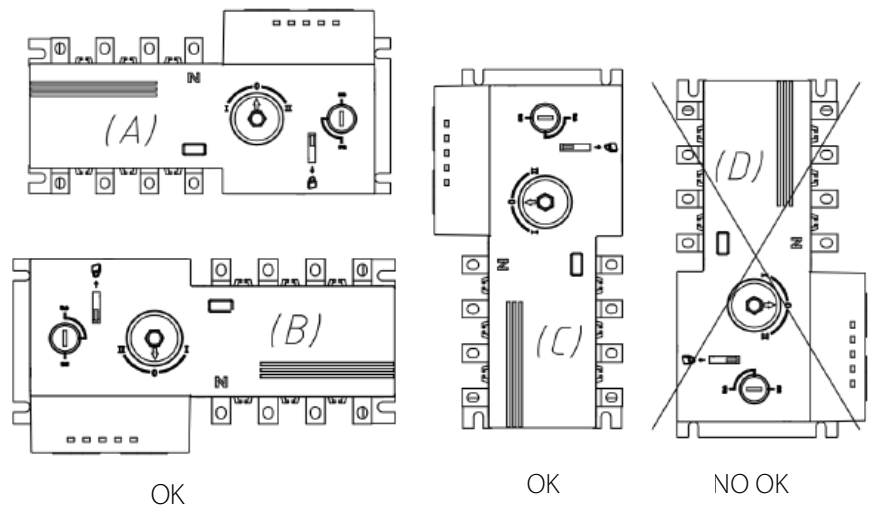
Model L



POSITIVE INDICATION



PRODUCT INSTALLATION



## PRODUCT CODES

Model X & G



Model L



SIZE	AMP	Without Controller - X	Without Controller - G	With Controller - L
Size 1	40A	C1-00404ASM XB	C1-00404ASM GB	C1-00404ASML*
	63A	C1-00634ASM XB	C1-00634ASM GB	C1-00634ASML*
	80A	C1-00804ASM XB	C1-00804ASM GB	C1-00804ASML*
	100A	C1-01004ASM XB	C1-01004ASM GB	C1-01004ASML*
	125A	C1-01254ASM XB	C1-01254ASM GB	C1-01254ASML*
Size 1.5	160A	C1-S1604ASM XB	C1-S1604ASM GB	C1-S1604ASML*
Size 2	200A	C1-02004ASM XB	C1-02004ASM GB	C1-02004ASML*
	250A	C1-02504ASM XB	C1-02504ASM GB	C1-02504ASML*
Size 3	315A	C1-03154ASM XB	C1-03154ASM GB	C1-03154ASML*
	400A	C1-04004ASM XB	C1-04004ASM GB	C1-04004ASML*
	630A	C1-06304ASM XB	C1-06304ASM GB	C1-06304ASML*
Size 4	800A	C1-08004ASM XB	C1-08004ASM GB	C1-08004ASML*
	1000A	C1-10004ASM XB	C1-10004ASM GB	C1-10004ASML*
	1250A	C1-12504ASM XB	C1-12504ASM GB	C1-12504ASML*
	1600A	C1-16004ASM XB	C1-16004ASM GB	C1-16004ASML*

Replace '\*' in the codes with letter 'B' or 'T'.

'B' - Input at bottom & Output at top

'T' - Input at top & Output at bottom



Generator OEM's



Commercial buildings

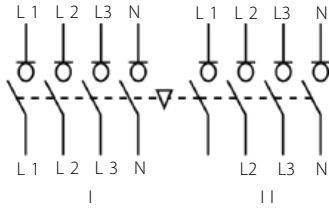


Manufacturing



Automobile industry

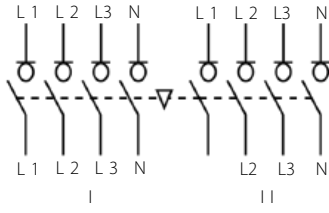
# Technical Information



4 P

		Size 01					Size 1.5	Size 02	
A		40	63	80	100	125	160	200	250
Rated thermal current I <sub>th</sub>	A	40	63	80	100	125	160	200	250
Insulation voltage	V	690	690	690	690	690	690	690	690
Rated impulse withstand voltage U <sub>imp</sub>	kV	8	8	8	8	8	8	8	8
Rated short-circuit making capacity (kA) peak	I <sub>cm</sub>	8	8	8	8	8	17	17	17
Rated conditional short-circuit current	I <sub>q</sub>	120	120	120	120	120	120	120	120
Control power voltage	V <sub>ac</sub>	230	230	230	230	230	230	230	230
Transfer time	(S)	1.7	1.7	1.7	1.7	1.7	3.1	3.1	3.1
Contact transfer times	(S)	0.7	0.7	0.7	0.7	0.7	1.2	1.2	1.2
Utilization category	PC class AC - 32B								
Mechanical endurance test									
Without current	cycles x 1000	4.5	4.5	4.5	4.5	4.5	5.0	5.0	5.0
With current	cycles x 1000	1.5	1.5	1.5	1.5	1.5	1.0	1.0	1.0
Operating cycles	cycles/hr	60	60	60	60	60	60	60	60
Mechanical life	cycles	1000	1000	1000	1000	1000	1000	1000	1000
Maximum weight	kg	3.8	3.8	3.8	3.8	3.8	3.8	3.8	3.8
Tightening torque	Size	M6	M6	M6	M6	M6	M10	M10	M10
	NM	3	3	3	3	3	10	10	10
Connection capacity. Cu cable.	mm <sup>2</sup>	50	50	50	50	50	95	120	120

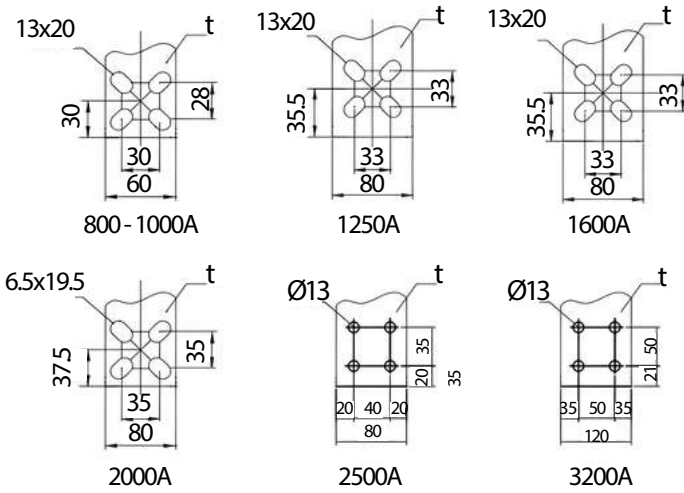
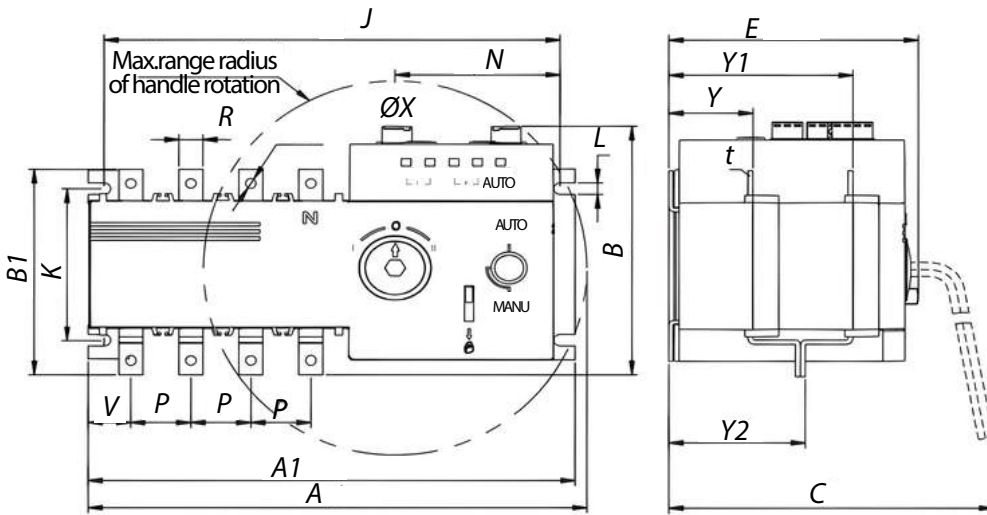
# Technical Information



4 P

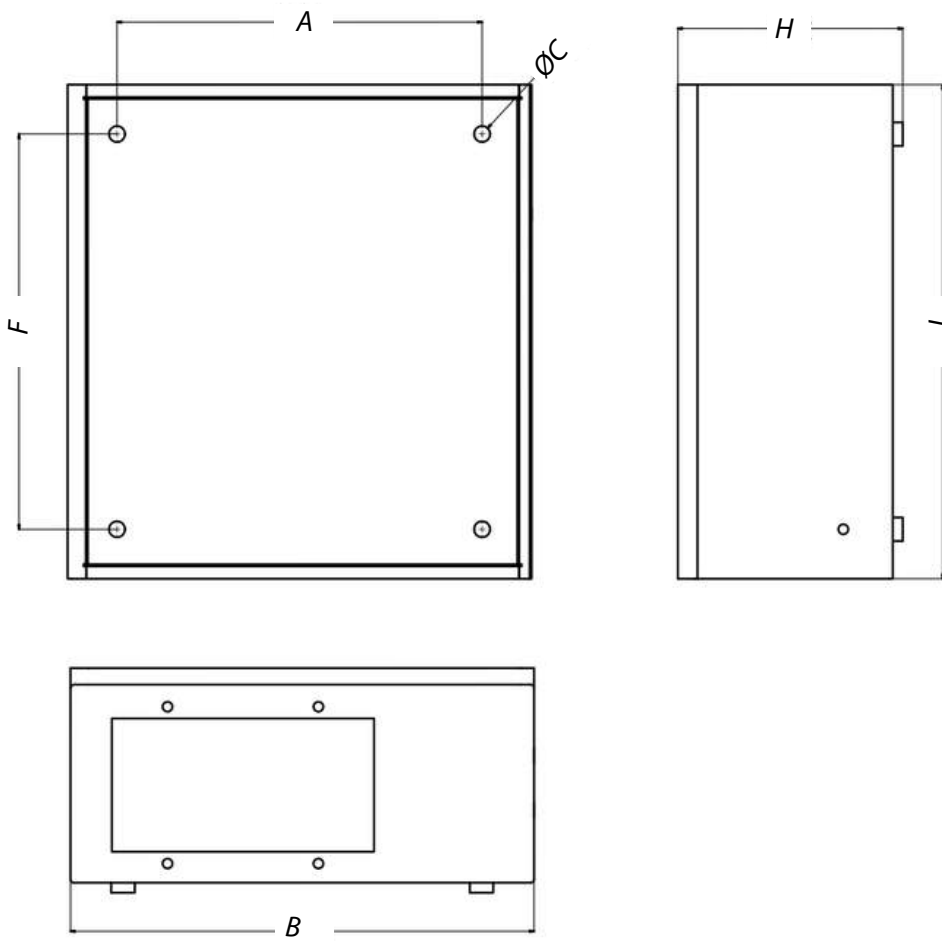
		Size 03			Size 04			
		315	400	630	800	1000	1250	1600
Rated thermal current I <sub>th</sub>	A	315	400	630	800	1000	1250	1600
Insulation voltage	V	690	690	690	690	690	690	690
Rated impulse withstand voltage U <sub>imp</sub>	kV	8	8	8	8	8	8	8
Rated short-circuit making capacity (kA) peak	I <sub>cm</sub>	26	26	26	55	55	55	55
Rated conditional short-circuit current	I <sub>q</sub>	120	120	120	120	120	120	120
Control power voltage	V <sub>ac</sub>	230	230	230	230	230	230	230
Transfer time	(S)	2.1	2.1	2.1	2.6	2.6	2.6	2.6
Contact transfer times	(S)	0.8	0.8	0.8	1	1	1	1
Utilization category	PC class AC - 32B							
Mechanical endurance test								
Without current	cycles x 1000	3.0	3.0	2.5	2.5	2.5	2.5	2.5
With current	cycles x 1000	1.0	1.0	1.0	0.5	0.5	0.5	0.5
Operating cycles	cycles/hr	20	20	20	20	20	20	20
Mechanical life	cycles	6000	6000	6000	4000	4000	4000	4000
Maximum weight	kg	22.6	22.6	22.6	64	64	64	70
Tightening torque	Size	M12	M12	M12	M12	M12	M12	M12
	NM	14	14	14	14	14	14	14
Connection capacity. Cu cable.	mm <sup>2</sup>	185	240	2x240	80/8	80/8	80/8	80/10

**DIMENSION 40A - 3200A**



Specs	Outline Size (mm)						Mounting Size (mm)											
	A	A1	B	B1	C	E	J	K	L	N	P	R	V	ØX	Y	Y1	Y2	t
40-125A	330	244	142	123	165	125	228	85	6.5	83	30	14	21	6.5	41.5	91.5	43	2.5
160A	374	301	175	140	200	166	285	102	7	94	36	20	31	8.5	55.5	126	92.5	3.5
200-250A	436	373	175	178	250	198	350	108	6.5	105	50	24	37	11	72	157	116	3.5
315-630A	502	433	260	260	295	244	416	180	9	101	65	40	47.5	12	83	193	140	5
800-1000A	1050	636	365	355	373	320	612	220	11	83.5	120	60	71	13	109	241	105	8
1250A	1050	636	366	369	373	320	612	220	11	83.5	120	80	71	13	109	241	106	8
1600A	1050	636	366	369	373	320	612	220	11	83.5	120	80	71	13	109	241	106	10
2000A	800	646	405	254	480	467	618	215	12	84.5	120	80	33	13	105	87	125	10
2500A	800	646	427	254	480	467	618	215	12	84.5	120	80	13	13	98	100	116	15
3200A	800	646	458	254	480	467	618	215	12	84.5	120	120	13	13	98	107	109	15

ENCLOSURE 40-630A



AMP	A	B	C	D	L	H
40-125A	295	375	13x4	320	400	182
160A	295	375	13x4	320	400	182
200-250A	420	500	13x4	520	600	268
315-630A	565	645	13x6	820	900	326

# AMF CONTROLLER **COMING SOON**

Get Ready for Seamless Power Shifting — AMF Controller Coming Soon.

## Functions

- Single phase monitoring including R&N (A CT to be used for Neutral)
- Three phase monitoring (Phase sequence)
- Overload tripping (CT- required)
- Time delay setting
- Auto transfer auto recovery
- Generator Start/ Stop control
- Under / over voltage & frequency protection
- AC system (single phase / Three phase)
- Manual DG START /STOP Function

## Features

- Micro Controller Based Design
- Compact Size, Elegant Design & Easy Install
- Icon based LCD display
- True RMS Voltage
- Current and Power monitoring
- USB Communications
- Rs 485 communications
- Engine parameter monitoring.

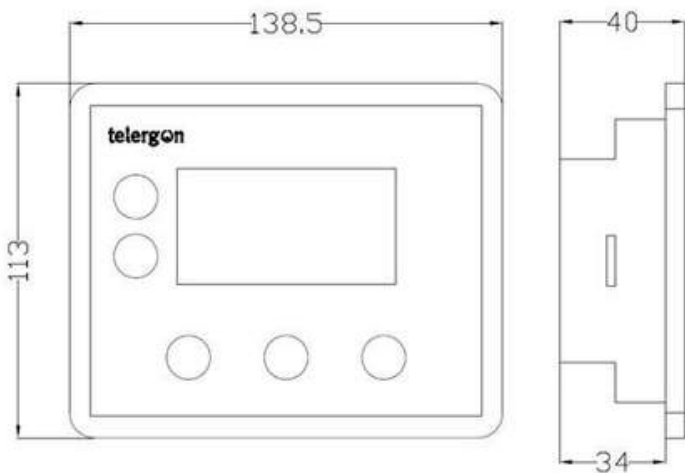
## Customer scope

- Dedicated uninterrupted 12/24V DC supply
- Auxillary contacts
- 5 units of 12/24V relays
- CT in Neutral for single phasing.
- CTs for current measuring

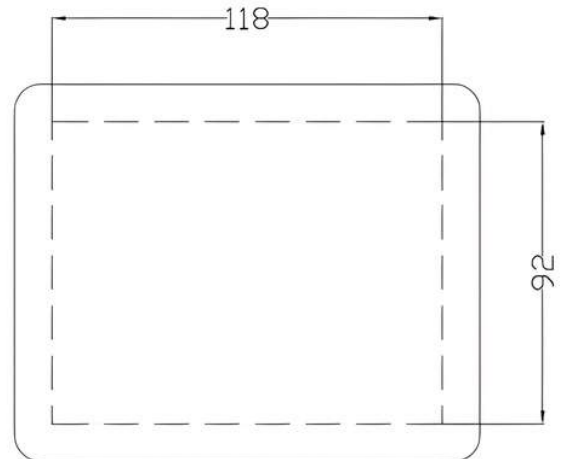
AMF - DC1GRB1



## Dimensions



## Panel cutout



# Explore Our Complete Range of Products

## ROTARY CAM SWITCH



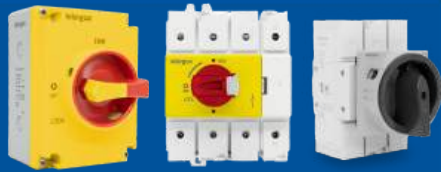
## BREAKER CONTROL SWITCH



## AC SOLUTIONS



## S3 SERIES (AC LBS)



## GORWIN SERIES ONLOAD CHO (MTS)



## F1 & F7 SERIES (DC LBS)



## DC & ENCLOSED SOLUTIONS



## AC/DC MOTORIZED SWITCHES





**telergon**  
gorlan

Telergon is the switch specialist that anticipates its customers' needs through the research, design, manufacture and commercialization of low voltage power switching products and solutions.

Carretera Castellón – Pol. Ind. La Cartuja 50720, La Cartuja Baja Zaragoza (Spain)

Tel.: (+34) 976 50 08 76  
Fax: (+34) 976 50 03 14  
info@telergon.com  
www.telergon.gorlan.com



**pronutec**  
gorlan

Pronutec is considered one of the leading companies specialised in fabrication and marketing of capital goods for the low voltage switchgear sector.

Parque Empresarial Boroa, Parcela 2C-1 48340 Amorebieta Vizcaya-Spain

Tel.: (+34) 94 631 32 34  
Fax: (+34) 94 631 39 22  
info@pronutec.com  
www.pronutec.gorlan.com



**tripus**  
gorlan

Tripus has become the leading manufacturer of complete switch-plug combinations for do-it-yourself and construction industries in Europe. Am Hohen Rain 2 89347 Bubesheim

Tripus systems GmbH Am Hohen Rain 2 89347 Bubesheim Deutschland

Tel.: (+49) 8221 9016 60  
Fax: (+49) 8221 3073  
sales@tripus.com  
www.tripus.com



**merytronic**

Merytronic is a company with a high added value in research, development and production of electronic equipment, both fixed and portable, for monitoring, control and indication of electronic distribution networks.

Boroa Business Park Plot 2B-1 48340 Amorebieta Vizcaya (España)- Spain

Tel.: (+34) 94 605 24 62  
info@merytronic.com  
www.merytronic.gorlan.com



**gorlan**  
germany

Gorlan germany After many years of experience in the German market, Pronutec GmbH was established to provide customers a more personalized and direct service.

Am Hohen Rain 2 89437 Bubesheim-Germany

Tel.: (+49) 8221 901 677  
Fax: (+49) 8221 901 6777  
info@gorlangermany.com  
www.germany.gorlan.com



**plastibor**  
gorlan

Dedicated to Plastics injection moulding, Plastibor separates production into two different sections: The thermosetting polymers section and thermoplastic materials section. In the first section thermoset polyester parts are moulded from moist polyester, and in the second section, thermoplastic materials such as polyamides, polycarbonates, PBT, PPS, PEI, PP, PARA, etc. are injected.

Parque Empresarial Boroa Parcela 2C-1 48340 Amorebieta, Vizcaya-Spain

Tel.: (+34) 94 648 26 87  
Fax: (+34) 94 648 26 88  
info@plastibor.com  
www.plastibor.gorlan.com



**inaselec**  
gorlan

Inaselec Assembly is a recent established Company within Gorlan group, is devoted to the manufacturing activity. As a result of this exclusive dedication to the manufacture and assembly by means of the most developed and modern systems, as well as rigorous quality controls, Inaselec offers as excellent end product.

Pol. Fuente Ciega-C/Encinas, 40 26200 Haro, La Rioja-Spain

Tel.: (+34) 941 89 49 00  
inaselec@inaselec.com  
www.inaselec.com



**gorlan**  
polska

Gorlan Polska was established to spread the group's solutions and attend local customers' needs in the Polish market.

ul.Zeromskiego 18 56-420 Bierutow-Polska

Tel.: (+48) 56 623 14 65  
Fax: (+48) 71 314-62-35  
info@gorlanpolska.com  
www.polska.gorlanteam.com



**gorlan**  
china

Gorlan Electric Shanghai was established to offer its group's solutions to the Chinese market in order to attend to his market's needs in the most customised and efficient fashion possible.

Office 1505, Sino Life Tower No. 707 Zhongyang Road Pudong, Shanghai 200120- China

Tel.: (+86) 2158 88 92 86  
shanghai@gorlan.com  
www.shanghai.gorlanteam.com



**gorlan**  
india

Gorlan India Switchgears Private Limited was formed as a result of the merger of Gem Telergon Switchgears Pvt Ltd and Gorlan Technologies Pvt Ltd.

24, Textool Feeder Industrial Estate, Ganapathy Coimbatore - 641 006 - India

Tel : 00422 - 4376841  
info@gorlanindia.com  
www.india.gorlan.com



ISO 9001:2015  
ISO 14001:2015  
ISO 45001:2018



www.tuv.com  
ID: 9105072142



Gorlan India Switchgear Pvt. Ltd.  
Administrative and Registered Office:  
24, Textool Feeder Industrial Estate  
Ganapathy, Coimbatore - 641 006  
India

Tel : 00422 - 4376841  
E-Mail : [info@gorlanindia.com](mailto:info@gorlanindia.com)  
Web : [www.india.gorlan.com](http://www.india.gorlan.com)  
CIN : U32109TZ1999TC008747

**telergon**  
gorlan

**gorlan**  
india